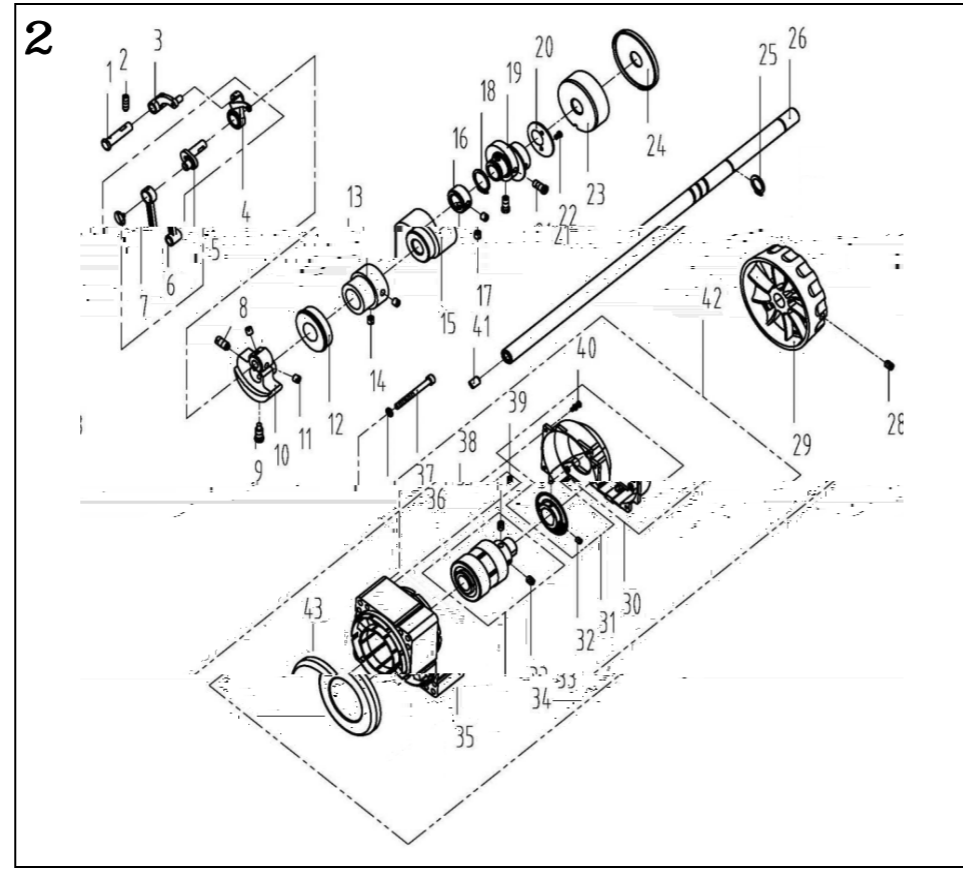


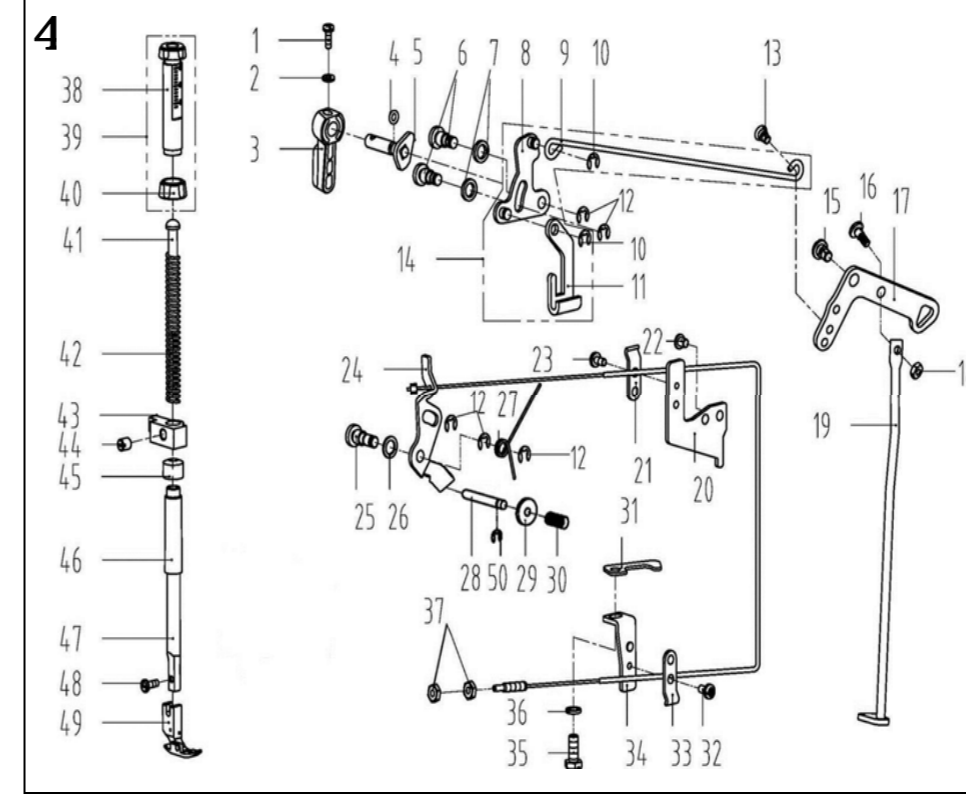
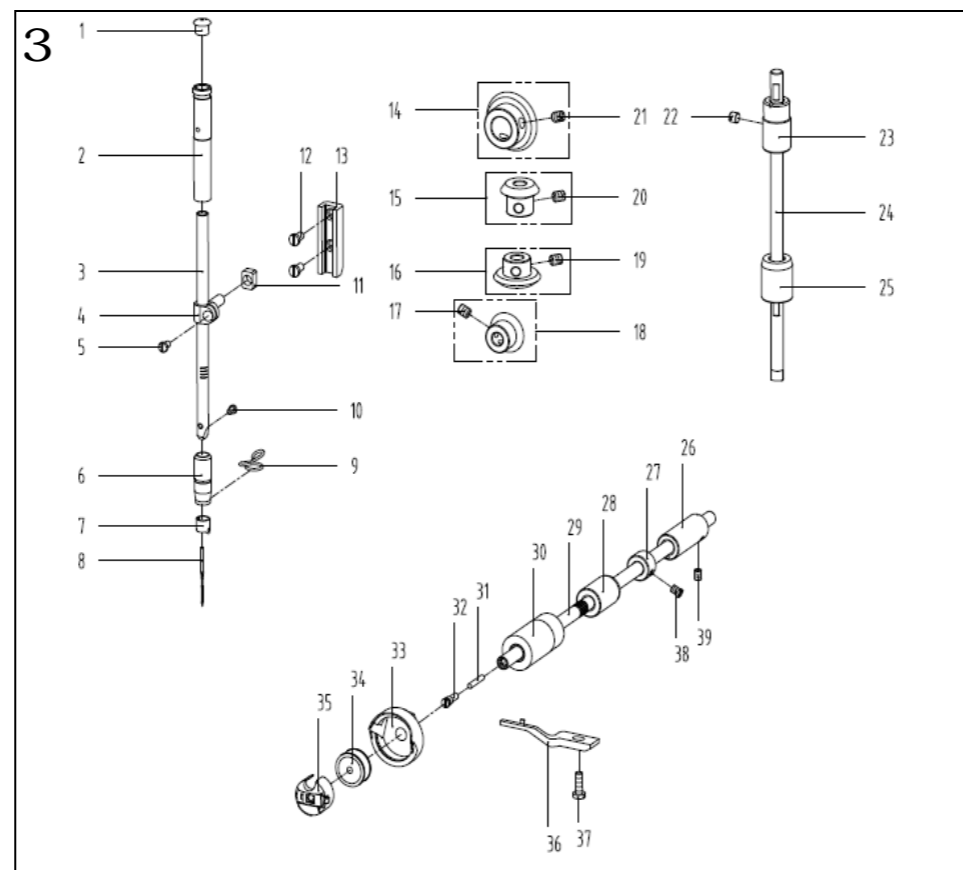
1. /Machine Frame & Miscellaneous Cover Components

NO	Part NO	Part Name	Description	Number
1	101511001	SM3/16" x 28 L=9	Screw SM3/16" x 28 L=9	3
2	10122003		Rubber plug	2
3	13837002		Head card	1
4	303819		Face plate asm	1
5	13813005		Thread guide left	1
6	101511007	SM1/6" x 40 L=6	Screw SM1/6" x 40 L=6	1
7	12822006		Face plate gasket	1
8	10122013		Rubber plug	1
9	10122005		Rubber plug	1
10	10122004		Rubber plug	1
11	101511004	SM1/6" x 28 L=7	Screw SM1/6" x 28 L=7	1
12	13812018		Thread take-up lever cover	1
13	101511004	SM1/6" x 28 L=7	Screw SM1/6" x 28 L=7	1
14	13512004		3-hole thread guide	1
15	10122005		Rubber plug	1
16	114511015	SM1/6" x 40 L=6	Screw SM1/6" x 40 L=6	2
17	11419001		Knife	1
18	20722002		Rubber plug	1
19	13822001		Rubber plug	2
20	13822007		Side plate gasket	1
21	303496		Side plate	1
22	101511001	SM1/6" x 28 L=9	Screw SM1/6" x 28 L=9	11
23	13812109		Fixed plate	1
24	S04010	M4x5.5	Screw M4x5.5	1
25	H05018	3.5x1	Circlip 3.5x1	1
26	13853007		Screw	1
27	114530001	( ) M6x25	Screw M6x25	1
28	114513001	M5x20	Screw M5x20	3
29	W01009	GB/T197.1-1985 5	Washer 5	2
30	13811031		Electronic control box	1
31	13822015		Rubber plug	1
32	13824009		Pin	1
33	138505001		Screw	1
34	A4011002		Panel seat	1
35	12833045		Control panel	1
36	101511001		Machine head stud	4
37	10122006		Rubber plug	1
38	10122007		Rubber plug	1
39	13822002		Decorative article	1
40	101511004		Screw	2
41	138130400		Thread tension asm	1
42	138516019		Thread tension nut	1
43	11227001		Thread tension spring	1
44	11212004		Thread tension disk	2
45	13810008		Thread tension post	1
46	138508006	SM1/6" x 28 L=7	Screw SM1/6" x 28 L=7	1
47	13812066		Thread tension guide plate	1
48	11322014	( )	Rubber plug	1
49	138130050		Thread tension asm	1
50	138516013		Thread tension nut	1
51	10112007		Thread disk rotating stopper	1
52	10127002		Thread tension spring A	1
53	10130002		Thread tension post	1
54	10112006		Disk stopper	1
55	10112005		Thread tension disk	2
56	10127001		Thread take-up spring	1
57	10103011		Thread tension base	1
58	101515005	SM9/64" x 40 L=5.5	Screw SM9/64" x 40 L=5.5	1
59	10122014	O	Rubber ring	1
60	10126030		Tension release pin	1
61	11413011		Thread guide	1
62	401516001	SM1/6" x 40	Nut SM1/6" x 40	1
63	101515010	SM5/64" x 28 L=10.5	Screw SM5/64" x 28 L=10.5	1
64	10113004		Thread guide right	1
65	101511007	SM1/6" x 40 L=6	Screw SM1/6" x 40 L=6	1
66	1383002700		Westless n-drive	1
67	207514007	M6	Screw M4x6	1
68	101511019	SM3/32" x 56 L=2	Screw SM3/32" x 56 L=2	2
69	10127009		Slide plate spring	1
70	10115002		Slide plate	1
71	104517002	( )	Screw SM11/64" x 40 L=8.5	2
72	12815001	1/8	Needle plate	1
73	101517002	SM11/64" x 40 L=6.4	Screw SM11/64" x 40 L=6.4	2
74	401511040	U SM9/64" x 40 L=5	Screw SM9/64" x 40 L=5	1
75	12812002	U	Waste material U	1
76	12815004		Throat plate	1
77	12812028		Blanking baffle	1
78	12812026		Waste material	1
79	101511019	SM3/32" x 56 L=2	Screw SM3/32" x 56 L=2	2
80	14112004		Oil preventing plate	1
81	14123001		Oil cotton	1
82	14011009	( )	Side cover	1



2. /Main Shaft & Thread Take-up Components

NO	Part NO	Part Name	Description	Number
1	12220010		Thread take-up connecting rod pin	1
2	10151001	SM5/64" x 28 L=15	Screw SM5/64" x 28 L=15	1
3	12200001		Needle bar crank rod	1
4	12220000		Thread take-up lever asm	1
5	12200000		Thread take-up crank	1
6	12200002		Needle bar cradle rod	1
7	10151001	SM1/6" x 40 L=6	Screw SM1/6" x 40 L=6	1
8	10151004	SM3/32" x 28 L=16	Screw SM3/32" x 28 L=16	1
9	10151003	SM1/6" x 28 L=16	Screw SM1/6" x 28 L=16	1
10	12800001		Needle bar crank	1
11	10151002	SM1/4" x 40 L=6	Screw SM1/4" x 40 L=6	2
12	B10003		Washer	1
13	12200001		Main shaft front bushing	1
14	S10009		Screw	2
15	12800005		Main shaft bushing mid	1
16	10100001		Main shaft thrust collar	1
17	10151004		Knife	1
18	H00002	20	Snap ring 20	1
19	400002		Feed eccentric cam	1
20	10110017		Over plate	1
21	10151013	SM1/4" x 40 L=13	Screw SM1/4" x 40 L=13	2
22	11311003	SM1/6" x 40 L=5	Screw SM1/6" x 40 L=5	2
23	13800002		Main shaft bushing back	1
24	10122005		O1 seal	1
25	H00011	GB/T804.1-1986 15	Snap ring 15	1
26	12800000		Main shaft	1
28	S10009		Screw	2
29	318800		Hardhead	1
30	13830000		Mitor cover asm	1
31	13830000		Mitor grinding sensor asm	1
32	GB/T77.2000	M6x4	Screw M6x4	1
33	GB/T77.2000	M6x6	Screw M6x6	1
34	13830000		Mitor rotor	1
35	13830000		Mitor rotor	1
36	GB/T83.1987	5	Spring washer 5	4
37	GB/T20.1.2000	M6x50x8	Screw M6x50x8	4
38	GB/T78.2000	M6x8	Screw M6x8	1
39	GB/T78.2000	M6x4	Screw M6x4	1
40	GB/T5074.8	M6x8	Screw	6
41	10122012	ZB-M4-25A	Rubber plug	1
42	13830000		Mitor	1
43	13811000		Mitor installation shield	1

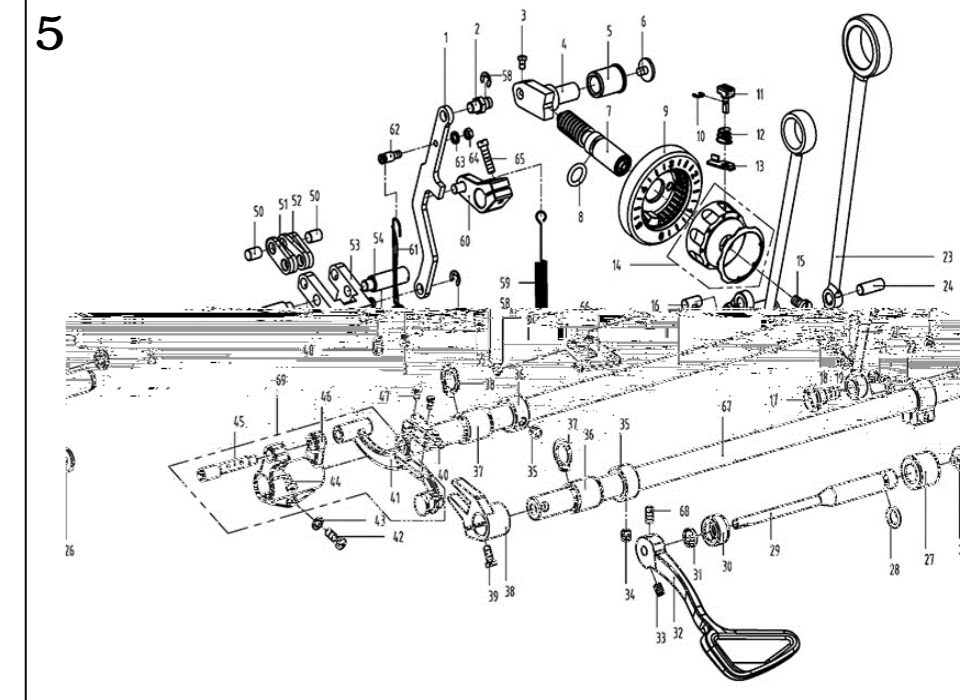


4. /Presser Bar Components

NO	Part NO	Part Name	Description	Number
1	10151010	SM1/6" x 40 L=11	Screw SM1/6" x 40 L=11	1
2	10128002		Washer	1
3	13811029		Hard lifter	1
4	O10004	O	Rubber ring	1
5	13810000		Hard lifter camism	1
6	10152001		Screw	2
7	10128005		Washer	2
8	13810000		Left front lever component	1
9	10110003		Wire lifter pull rod	1
10	H00003	GB/T800.1986 5	Snap ring	2
11	10110000		Lifting plate	1
12	11320002	5	Snap ring	5
13	10150004	SM1/6" x 32	Hinge Screw SM1/6" x 32	1
14	13810000		Wire lifter lever asm	1
15	10150003	SM5/64" x 28	Hinge screw SM5/64" x 28	1
16	12830003	SM1/6" x 40	Hinge Screw SM1/6" x 40	1
17	12813033		Wire lifter back lever	1
18	11251008	SM1/6" x 40	Nut SM1/6" x 40	1
19	12813032		Wire lifter connecting rod	1
20	11213000		Wire release bracket upper	1
21	11213008		Wire release press plate	1
22	10151004	SM1/6" x 28 L=7	Screw SM1/6" x 28 L=7	1
23	113511004	M6x8	Screw M6x8	1
24	13812010		Wire release plate asm	1
25	10150002		Wire release plate pin	1
26	10128005		Washer	1
27	11420000		Washer spring	1
28	10130003		Thread release supporting pin	1
29	10128001		Washer	1
30	10127003		Spring	1
31	10110022		Tube press plate	1
32	113511004	M6x8	Screw M6x8	1
33	11213008		Wire presser A	1
34	11313001		Wire release bracket lower	1
35	11630003	SM5/64" x 28 L=14.5	Screw SM5/64" x 28 L=14.5	1
36	W00004		Snap ring	1
37	113512001	SM1/6" x 32	Nut SM1/6" x 32	2
38	13811027		Press regulating screw	1
39	1381102700		Presser regulating screw nut asm	1
40	13811028		Press regulating nut	1
41	10120003		Press regulating guide bar	1
42	11420003		Press regulating spring	1
43	13800000		Presser bar guide bracket	1
44	10151000	SM1/6" x 40 L=8	Screw SM1/6" x 40 L=8	1
45	10120112		Presser bar oil cover	1
46	10130012		Presser bar bushing lower	1
47	12800002		Needle	1
48	101511000	SM1/6" x 40 L=10.5	Screw SM1/6" x 40 L=10.5	1
49	12810000	2 (1/8)	Presser foot asm	1
50	H00012	4	Snap ring	1

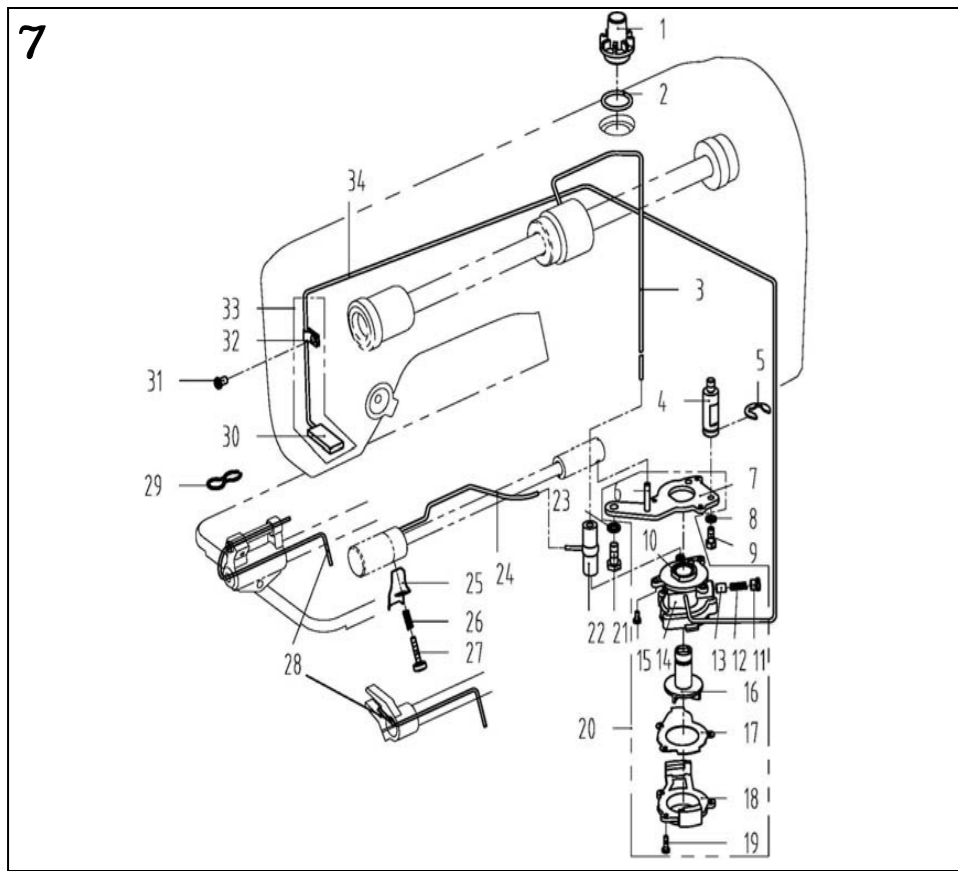
3. /Needle Bar, Upright Shaft & Hook Driving Shaft Components

NO	Part NO	Part Name	Description	Number
1	10122003		Rubber plug	1
2	10130000		Needle bar bushing upper	1
3	12800008	(H)	Needle bar	1
4	10130002		Needle bar connecting rod	1
5	10151005	SM1/6" x 40 L=6	Screw SM1/6" x 40 L=6	1
6	10130000		Needle bar bushing lower	1
7	10110002		Needle bar thread guide	1
8	10110001	14#	Needle	1
9	10140001		Lower bushing thread guide	1
10	101511006	( ) SM1/8" x 44 L=4.5	Screw SM1/8" x 44 L=4.5	1
11	10100001		Slide block	1
12	101511008	SM1/6" x 40 L=8	Screw SM1/6" x 40 L=8	2
13	10100002		Needle bar guide	1
14	10420004		Upper shaft bevel gear	1
15	10420003		Upper small bevel gear asm	1
16	10420002		Lower large bevel gear asm	1
17	10151004	SM1/4" x 40 L=7	Screw SM1/4" x 40 L=7	2
18	10420001		Hook drive shaft bevel gear	1
19	10151004	SM1/4" x 40 L=7	Screw SM1/4" x 40 L=7	2
20	10151004	SM1/4" x 40 L=7	Screw SM1/4" x 40 L=7	2
21	10151004	SM1/4" x 40 L=7	Screw SM1/4" x 40 L=7	2
22	113511006	SM5/64" x 28 L=4.7	Screw SM5/64" x 28 L=4.7	1
23	10130000		Upright shaft bushing upper	1
24	10130007		Upright shaft	1
25	10130013		Upright shaft bushing lower	1
26	10130010		Hook driving shaft bushing back	1
27	10100002		Hook driving shaft snap ring	1
28	13130022		Lower shaft middle bushing	1
29	11300003		Hook driving shaft	1
30	11300001		Hook driving shaft bushing front	1
31	10120000		O1 wick	1
32	10130005		set screw	1
33	11418003	( )	Hook asm Hirose	1
34	10118003		Bobbin	1
35	11218004		Bobbin case asm	1
36	10112006		Pin gear positioner	1
37	116311005	SM1/6" x 40 L=13	Screw SM1/6" x 40 L=13	1
38	10151002	SM1/6" x 40 L=4.8	Screw SM1/6" x 40 L=4.8	2
39	113511000	SM1/6" x 40 L=6	Screw SM1/6" x 40 L=6	1



5. /Feed Mechanism Components

NO	Part NO	Part Name	Description	Number
1	11400015		Reverse feed connecting rod	1
2	11400021		Connecting rod pin	1
3	10151005	SM1/6" x 40 L=6	Screw SM1/6" x 40 L=6	6
4	10100003		Feed regulator	1
5	11400043		Feed regulator bushing	1
6	101511023	SM1/6" x 28 L=6.5	Screw SM1/6" x 28 L=6.5	1
7	13830006		Feed regulator stud	1
8	10122016	O	Rubber ring	1
9	13811008		Fixing dial plate	1
10	H00008	GB/T800.1986 3.5	Snap ring 3.5	2
11	13811009		Dial plate button	1
12	13820002		Snap ring	1
13	13810000		Upper limit switch	1
14	13810000		Wash component	1
15	10151022	SM1/6" x 28 L=18	Screw SM1/6" x 28 L=18	1
16	10120011		Feed roller crank pin	1
17	10150005	SM1/6" x 28	Hinge Screw SM1/6" x	

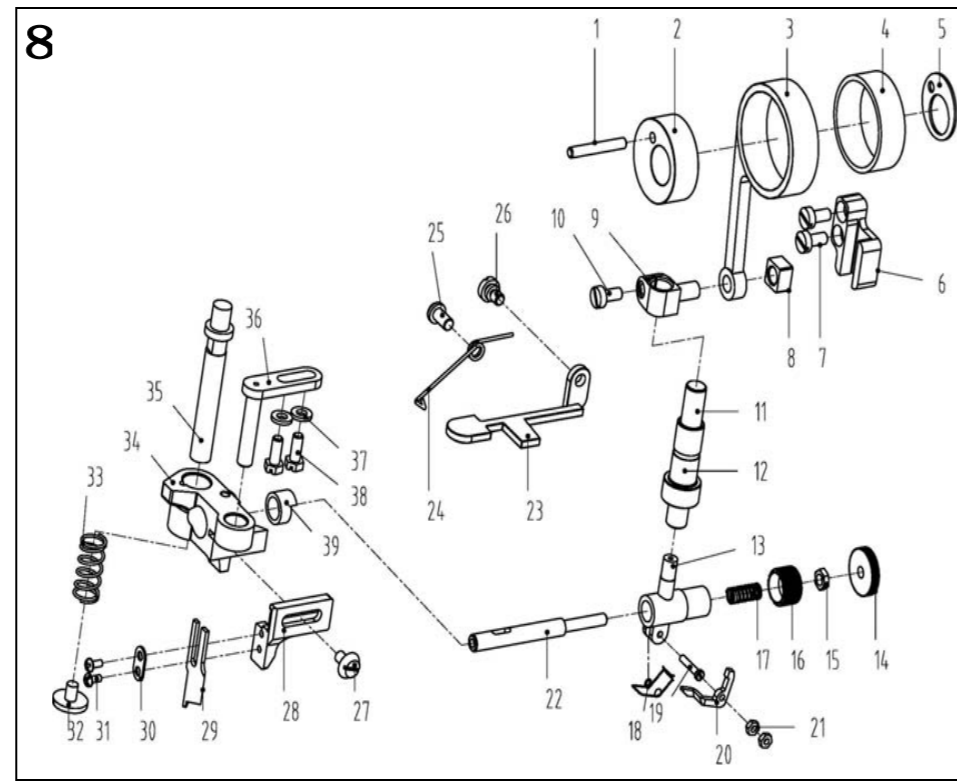


7. /Q1 Lubrication Components

NO	Part NO	Part Name	Description	Number
1	1121004		Oil sight window	1
2	10122019	O	Rubber ring	1
3	1412101		M16 shaft oil tube	1
4	11283005		Oil pump connecting stud	1
5	1123010	10	Snap ring 10	1
6	1012101		Werk driving shaft oil tube	1
7	1011200		Oil pump installing base	1
8	M3002		Spring washer	1
9	20181001	SM1/64 × 40 L=10.5	Screw SM1/64 × 40 L=10.5	1
10	10103022		Oil pump bushing	1
11	10183007		Plunger screw	1
12	10121013		Plunger spring	1
13	10122018		Plunger	1
14	1012101		Oil pump	1
15	S01003		Screw	3
16	10111003		Oil pump impeller	1
17	10112121		Oil pump impeller cover	1
18	10111007		Lubricating oil pump cover	1
19	10183006		Lubricating oil pump component	3
20	10123000		Lubricating oil pump component	1
21	11063003	SM5/64 × 28 L=14.5	Screw SM5/64 × 28 L=14.5	1
22	1013001		Rubber joint	1
23	M3001	GB/T83-1987 M6	Spring Washer M6	1
24	13821015		Werk oil tube	1
25	1131201		Oil shield cover	1
26	1382104		Spring	1
27	11312001		Screw	1
28	10121015		Oil vick	1
29	10121015		Oil felt clamp	1
30	10121001		Oil felt felt	1
31	10181004	SM/16 × 28 L=7	Screw SM/16 × 28 L=7	1
32	10112123		Oil tube clamp	1
33	10121007		Oil return tube component	1
34	10121008		Oil return tube	1

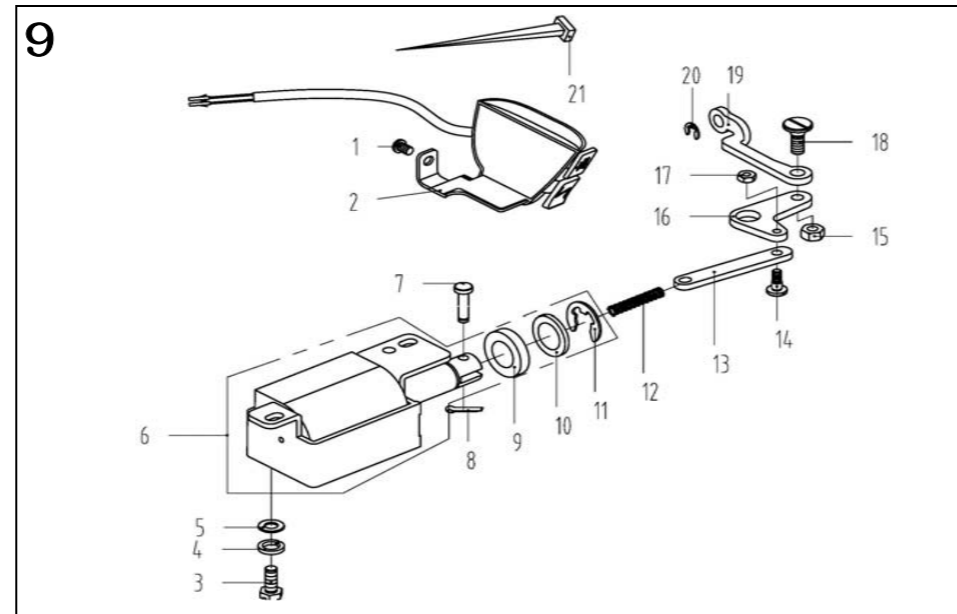
6. /Thread Trimmer Components

NO	Part NO	Part Name	Description	Number
1	11311002	SM/8×44 L=9.5	Screw SM/8×44 L=9.5	1
2	1131001		Scarf knife	1
3	11311001	SM/6×40	Screw SM/6×40	1
4	1131203		Needle guard patch	1
5	20181001	SM/6×40 L=5.5	Screw SM/6×40 L=5.5	1
6	11311001	SM1/64×40 L=12	Screw SM1/64×40 L=12	2
7	10128003		Washer	2
8	13812130D		Knife bracket press component	1
9	13812131		Knife bracket press	1
10	1381012		Short bushing	2
11	11311002	SM1/64×40 L=4.4	Screw SM1/64×40 L=4.4	2
12	1131002		Metal knife	1
13	1131001		Knife bracket	1
14	1131001	SM1/64×40	Hinge Screw SM1/64×40	2
15	1131005		Connecting rod	1
16	1141004	SM1/64×40	Nut SM1/64×40	1
17	1131001		Crank	1
18	1131001		Crank driver stopper block	1
19	S01001	M6x4	Screw M6x4	1
20	1132101		Spring	1
21	1123004	H4	Pin	1
22	1123005		Pin	1
23	1281008		Thread cutting shaft bushing	1
24	1131005		Crank drive shaft bushing	1
25	11314030	SM1/64×40 L=6	Screw SM1/64×40 L=6	1
26	1132102		Spring cover	1
27	1132102		Spring	1
28	1281015		Crank shaft	1
29	10181001		Screw SM/4×40 L=6	1
30	110614005	SM/4×40 L=10	Screw SM/4×40 L=10	2
31	1131001		Push rod	2
32	1131004		Cam	1
33	1131001		Rolling pin	1
34	11311002	SM1/64×40	Nut SM1/64×40	1
35	1131005D		Thread trimmer drive arm	1
36	1131002		Shaft	1
37	1132101		Feed trimming block	1
38	H0101	GB/T806-1986	Snap ring	1
39	1011203		Outer weight protection	1
40	1132103		Solenoid cushion rubber	1
41	1131001		Solenoid pin	1
42	10181036	SM5/64×28 L=9	Screw SM5/64×28 L=9	1
43	1131003		Solenoid bracket	1
44	N10005	M	Nut M	2
45	M3018	GB/T83-1987 4	Washer	2
46	11281003	SM/4×40	Nut SM/4×40	1
47	11382005		Washer	1
48	13801330D		Thread trimmer solenoid arm	1
49	1132103		Spring	1
50	11312007		Thread release bed	1
51	11382002	SM/4×28	Screw SM/4×28	1



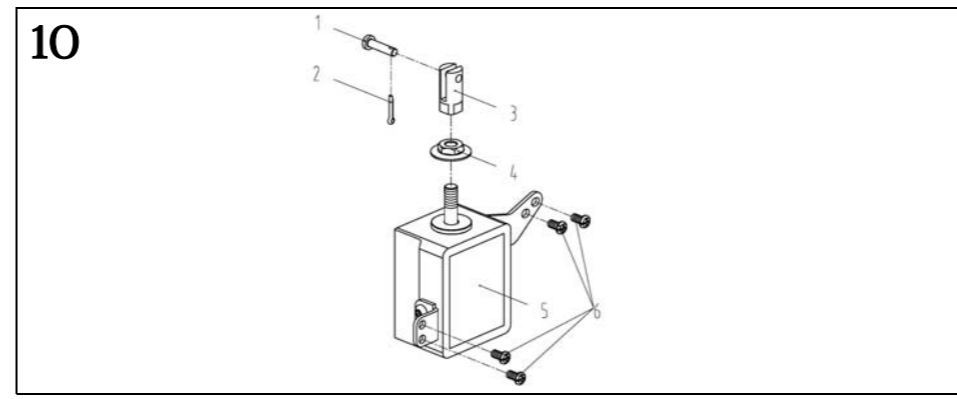
8. Knife Components

NO	Part NO	Part Name	Description	Number
1	1271001		Pin	1
2	1271002		Knife cam	1
3	1271003		Knife connecting rod	1
4	12710010		Knife connecting rod bearing	1
5	1281005		Cover plate	1
6	1281001		Slide block guide rail	1
7	10181008	SM1/64×40 L=8	Screw SM1/64×40 L=8	2
8	1281002		Slide block	1
9	1281002		Knife driving stud connecting arm	1
10	20181001	SM/64×40 L=9.5	Screw SM/64×40 L=9.5	1
11	1281003	ILC	Knife shaft	1
12	1281001		Bushing	1
13	1281003		Knife driving rod clutch bracket	1
14	1281101		Knob	1
15	20181003	NB3	Nut	1
16	1281002		Cap	1
17	1282101		Spring	1
18	1282102		Spring	1
19	1281002		Pin	1
20	1281001		Knife release rod	1
21	N1018	GB/T8170-1986	GB/T8170-1986 5 Nut M6 5	2
22	1281001		Knife driving rod clutch pin	1
23	1281001		Knife bed component pull down handle	1
24	1282108		Spring	1
25	1281101		Screw SM/16×28 L=14	1
26	1281005		Werk Screw SM1/64×40	1
27	12811001	SM1/64×40 L=8	Screw SM1/64×40 L=8	1
28	1281004		Knife bracket	1
29	1281001		Knife	1
30	1281006		Press plate	1
31	10181027	SM/8×44 L=6	Screw SM/8×44 L=6	2
32	10181023	SM/16×28 L=6.5	Screw SM/16×28 L=6.5	1
33	1282107		Spring	1
34	1281010		Knife bed component	1
35	1281011		Knife bed shaft	1
36	1281012	(ILQ)	Knife bed guide rod	1
37	1281001		Washer	2
38	20181001	SM1/64×40 L=8	Screw SM1/64×40 L=8	2
39	1281003		Knife bed component bushing right	1



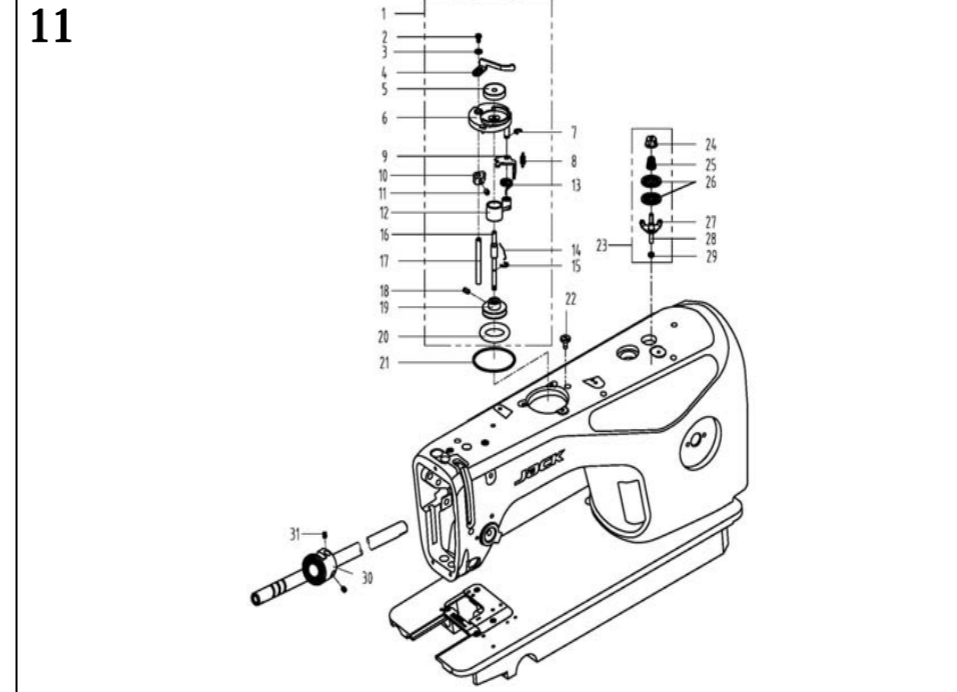
9. /Automatic Reverse Feed Components

NO	Part NO	Part Name	Description	Number
1	10181004	SM/16 × 28 L=7	Screw SM/16 × 28 L=7	1
2	1281010D		Auto reverse feed switch arm	1
3	11063003	SM5/64 × 28 L=14.5	Screw SM5/64 × 28 L=14.5	2
4	M3001	GB/T83-1987 M6	Spring washer M6	2
5	11063005		Washer	2
6	1381010D		Auto reverse feed solenoid	1
7	1381001		Snap ring	1
8	11382001	R 1.5	Gutter pin	1
9	1132101		Washer	1
10	1138203		Snap ring	1
11	H0101	GB/T806-1986	Plunger spring	1
12	11221006		Auto reverse feed connecting rod	1
13	13812034		Hinge Screw SM1/64 × 40	1
14	11282002	SM1/64 × 40	Nut SM/64 × 40	1
15	11281007	SM/4 × 28	Washer	1
16	1121003		Nut SM1/64 × 40	1
17	11281008	SM1/64 × 40	Hinge Screw SM/64 × 40	1
18	11282001	SM/4 × 28	Auto reverse feed pull shaft	1
19	13812071		Spring	1
20	1281003		Snap ring 7	1
21	11211005		Gutter head	1



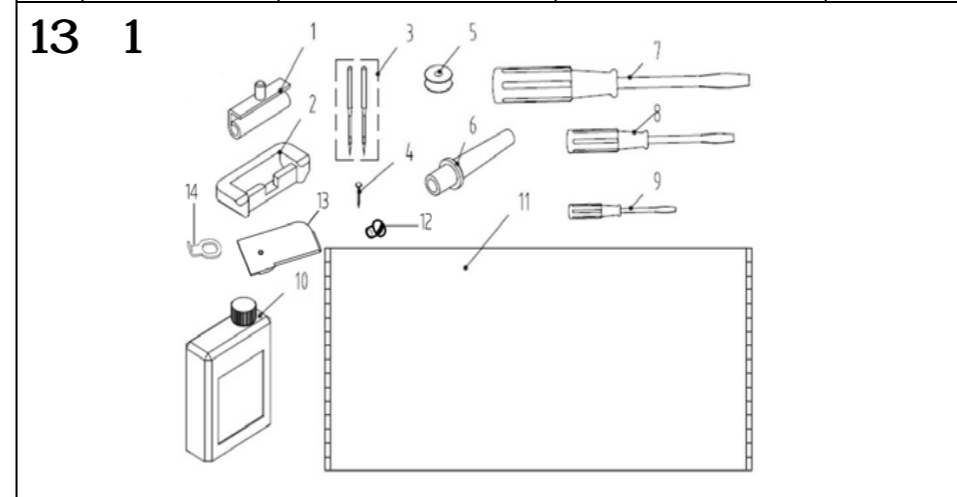
10. /Auto Lifter Components

NO	Part NO	Part Name	Description	Number
1	11381005		Pin	1
2	11382001	R 1.5	Gutter pin	1
3	11381006		Solenoid connector	1
4	11381004	M6	Flange nuts M6	1
5	141300130		Solenoid arm	1
6	10181001	SM/16 × 28 L=9	screw SM/16 × 28 L=9	4



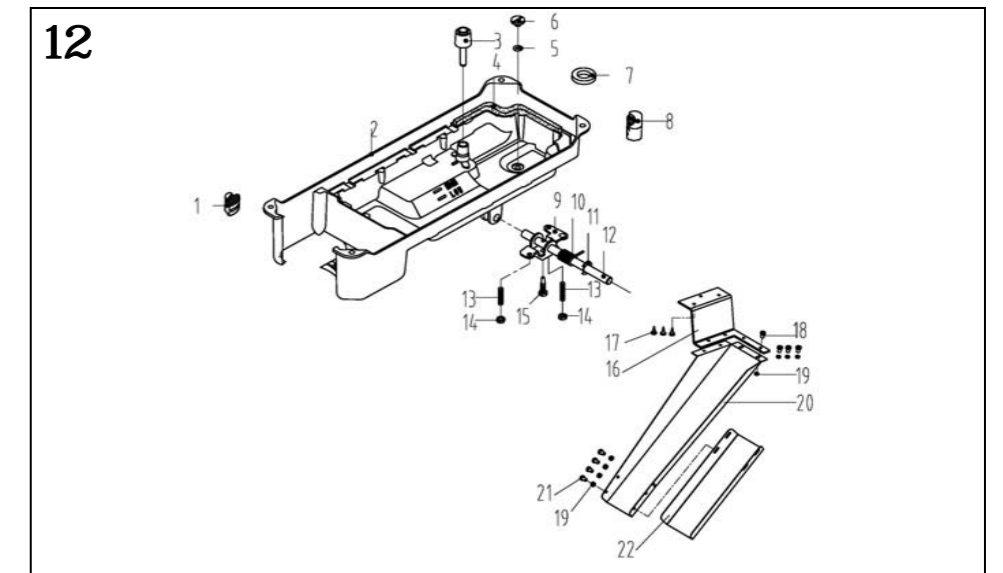
11. / Bobbin Components

NO	Part NO	Part Name	Description	Number
1	1381010D		Bobbin winder asm	1
2	11411008	M6x6	Screw M6x6	1
3	GB/T97-1	4	Washer	1
4	1011300		Thread press control plate	1
5	1011100		Bobbin winder pad	1
6	1381101		Bobbin winder bed	1
7	GB/T 806-1986	5	Press plate	1
8	1012101		Spring	1
9	1381210		Regulating plate	1
10	1011000		Bobbin winder cam	1
11	S01045		Screw	1
12	1381010D		Bobbin winder connecting rod	1
13	1382103		Spring	1
14	1012100		Spring	1
15	GB/T 806-1986	4	Press plate	1
16	1381211		Bobbin winder main shaft	1
17	1381212		Bobbin winder camshaft	1
18	S01013		Screw	2
19	1381102		Bobbin winder wheel	1
20	011110	O	Ring	1
21	1141201		Washer	1
22	11411010	SM/16 × 28 L=10	Screw SM/16 × 28 L=10	3
23	1381010D		Bobbin thread tension arm	1
24	1381104		Thread tension nut	1
25	1142100		Spring	1
26	1011205		Thread tension disk	2
27	1141302		Thread tension guide plate	1
28	11281004		Screw	1
29	11411001	SM1/64 × 40	Nut SM1/64 × 40	1
30	1281005		Balance	1
31	S1000	M6 8	Screw M6 8	2



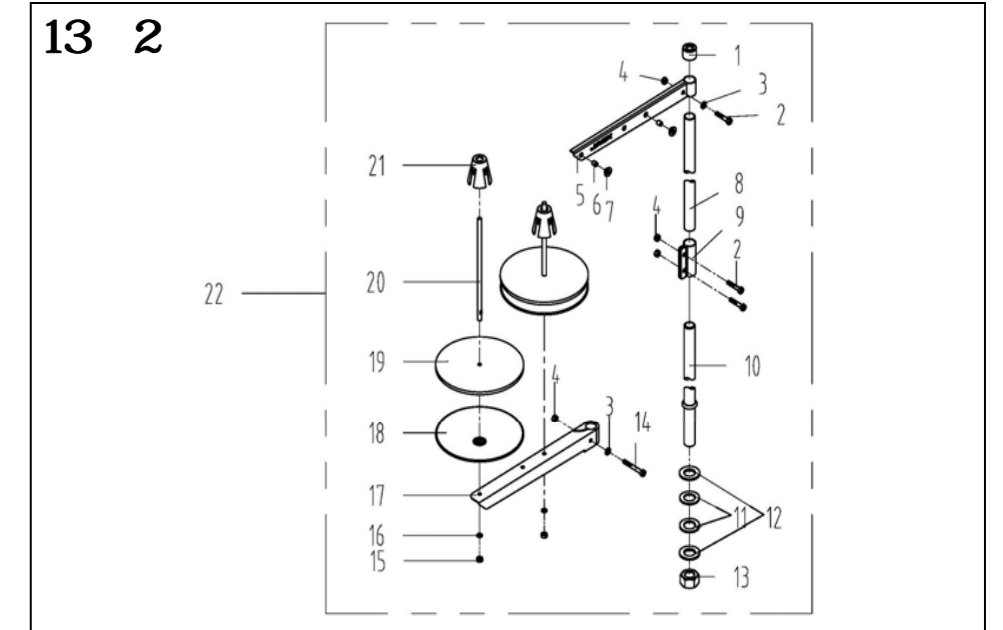
13. (1)/Machine Head Accessories(2)

NO	Part NO	Part Name	Description	Number
1	10112010D		Hinge component	2
2	1012200		Head connecting rubber cushion	2
3	1011721	14#	Needle	4
4	10183010		Nut	4
5	1011803		Bobbin	2
6	1011101		Machine head rest pin	1
7	2073107		Screw driver, large	1
8	1013103		Screw driver, medium	1
9	1013104		Screw driver, small	1
10	10111010D		Clamp component	1
11	114131001		Dust cover	1
12	30611005		Screw	1
13	1281006		Needle plate cover	1
14	12812004		Spring	1



12. /Oil Reservoir, Knee Lifter Components

NO	Part NO	Part Name	Description	Number
1	10122022		Oil reservoir rubber cushion	2
2	1281000		Oil reservoir	1
3	10111005		Knee lifter push rod	1
4	10122001		Oil Reservoir gasket	1
5	10122021	O	Rubber ring	1
6	10181028	SM/16 × 24 L=7	Screw SM/16 × 24 L=7	1
7	10131001		Oil reservoir magnet	1
8	10122023		Oil reservoir rubber cushion	2
9	10112027		Knee lifter crank	1
10	10121016		Knee lifter spring	1
11	H0101	GB/T806-1986 10	Snap ring 10	1
12	10103011		Knee lifter shaft	1
13	10181012	M6 L=30	Screw M6 L=30	2
14	10181004	M6 L=4	Nut M6 L=4	2
15	10181002	M6 L=23	Screw M6 L=23	1
16	310102		Wood material chise holder	1
17	12813001	M6x16	Wood screw M6x16	3
18	S13001	GB/T3074 G 1988	Screw	4
19	N10115	GB/T8170 1986 M6	Nut M6	8
20	310111		Wood material chise	1
21	S13002	M6x8	Screw M6x8	4
22	310115		Wood material chise	1



13. (2)- /Machine Head Accessories(1)-Thread Stand Components

NO	Part NO	Part Name	Description	Number
1	20131019		Spool rest rod rubber cap	1
2	S01050	M6 L=16	Screw M6 L=16	3
3	M10107	M6	Washer M6	2
4	N10134	M6	Nut M6	4
5	13810122		Spool rest arm upper	1
6	10113011		Thread guide ring	2
7	10113010	( )	Thread guide ring	2
8	13810101		Spool rest rod upper	1
9	13810121		Spool rest rod joint	1
10	13810120		Spool rest rod lower	1
11	10122106		Spool rest rod rubber ring	2
12	M10148	M6	Washer M6	2
13	N10148	M6		